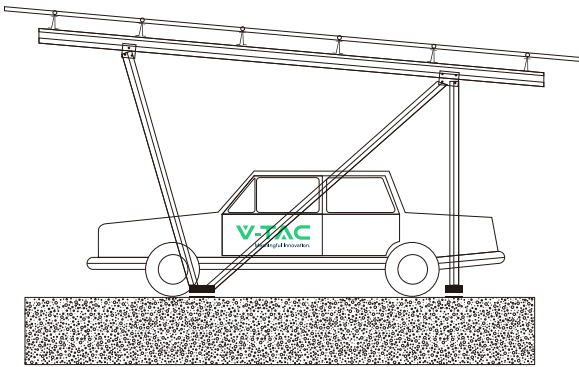


V-TAC





Meaningful Innovation.

V-TAC Carport
Installation Manual

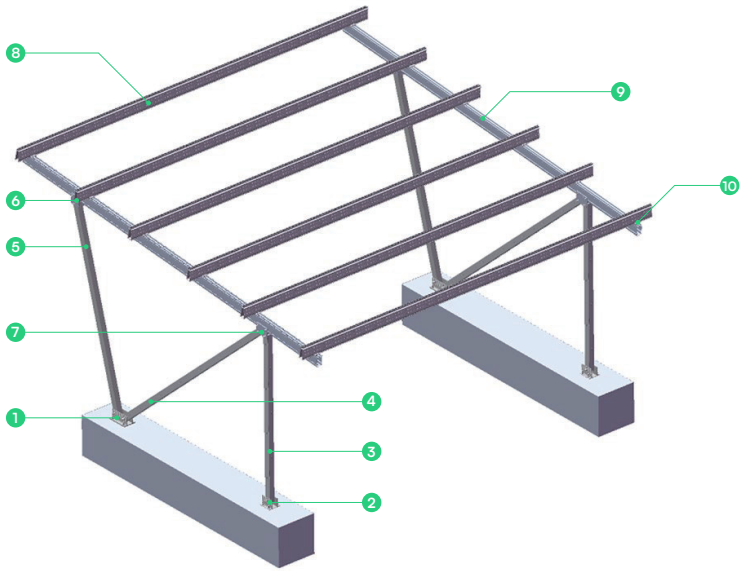
1. Diagrammatic Drawing



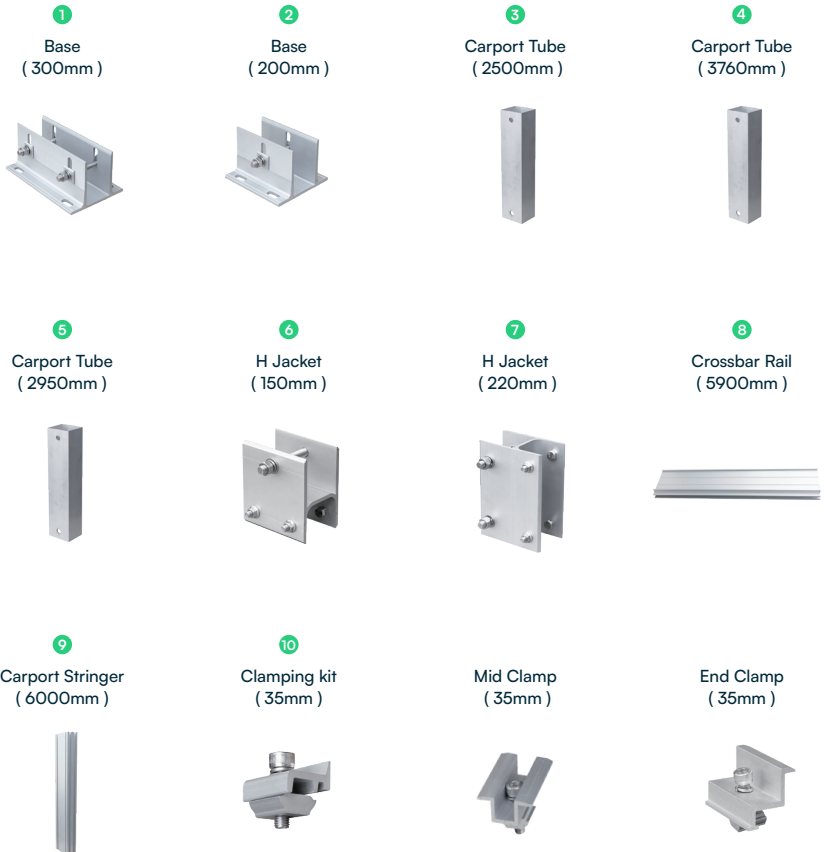
2. Product List

SKU	Picture	Description	Qty	Barcode
118211		Crossbar Rail 5900mm	6	3800170208384
118212		Clamping Kit	48	3800170208391
118213		Mid Clamp 35mm	24	3800170208407
118214		End Clamp 35mm	12	3800170208414
118215		Carport Stringer 6000mm	2	3800170208421
118216		H Jackets 150mm	2	3800170208438
118217		H Jackets 220mm	2	3800170208445
118218		Carport Tube 2500mm	2	3800170208452
118219		Carport Tube 3760mm	2	3800170208469
118220		Carport Tube 2950mm	2	3800170208476
118221		Base 200mm	2	3800170208483
118222		Base 300mm	2	3800170208490
118223		Waterproof Accessories	28m	3800170208506

3. Carport Structure



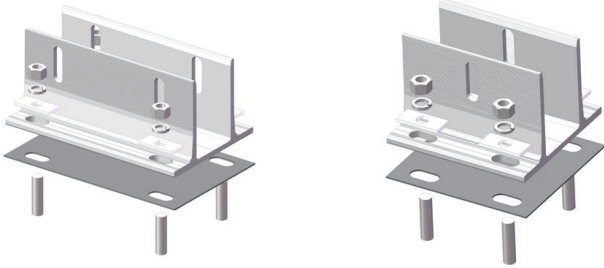
4. Accessories



5 . Installation Steps

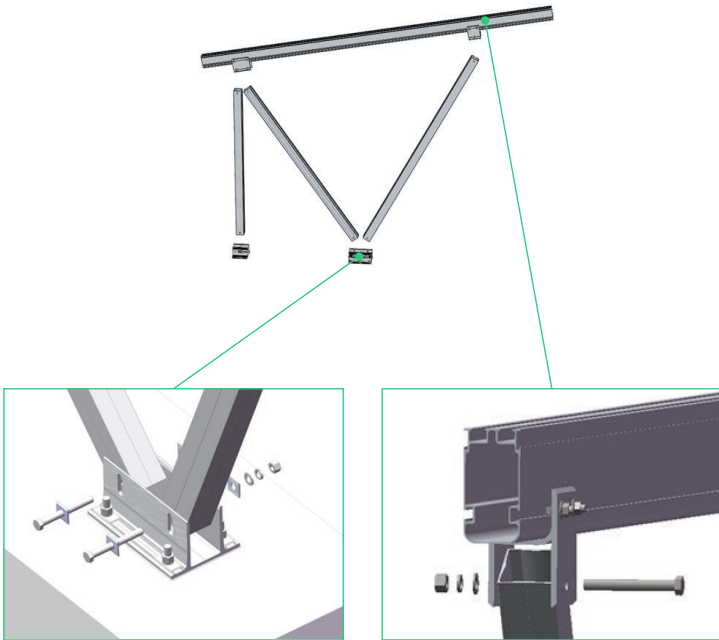
Step 1

Disassemble the screws of the base to fix it on the ground.



Step 2

Using the screws of base to fix the end carport tubes, meanwhile, fix the H-Jackets on the carport stringer, then connect the H-Jackets with the other end of carport tubes.

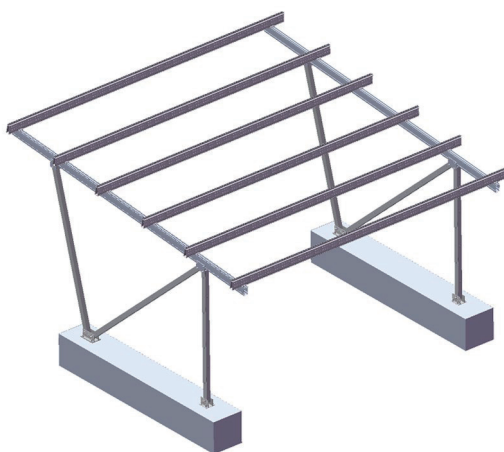
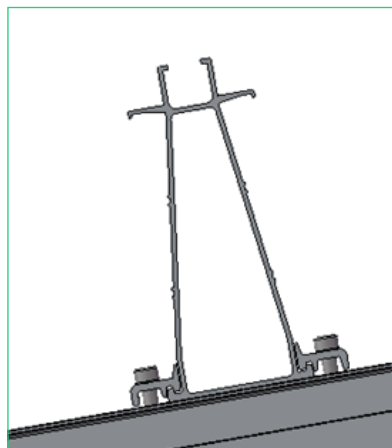
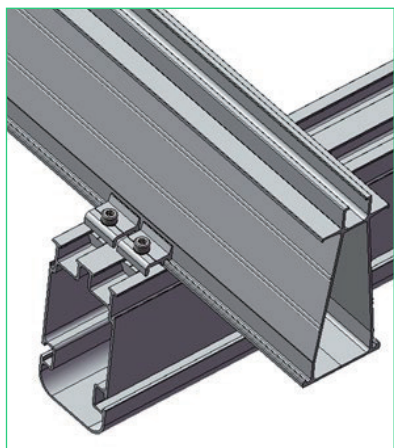
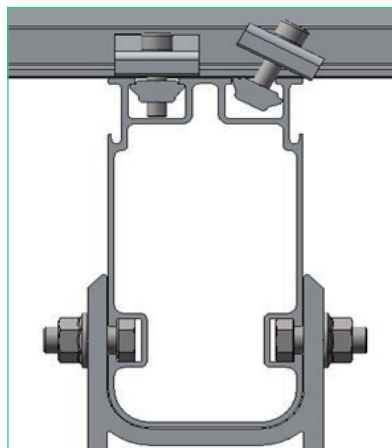
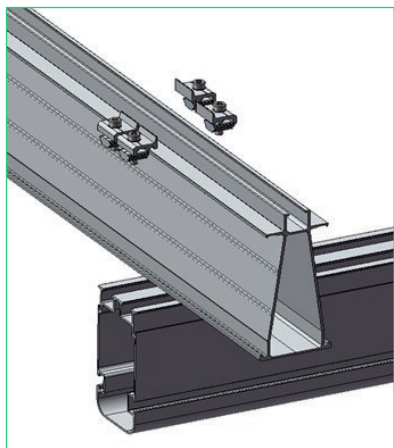


Step 3

The other side should install as the same method.

Step 4

Using the clamping kit to install the Crossbar rail and Stringer.



Step 5

Using mid clamps and end clamps to fix solar panels on the crossbar rail.

